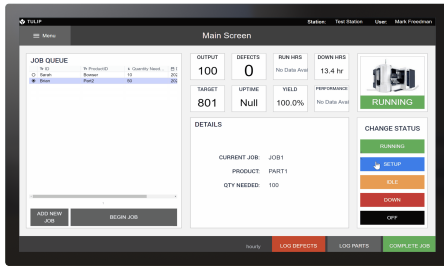




ADM-2155BP-00A

VESA Mount 55-inch KVM Extender Integrated LCD Touch Display Monitor. True one-cable solution up to 100 meters CAT6 cable.



Features

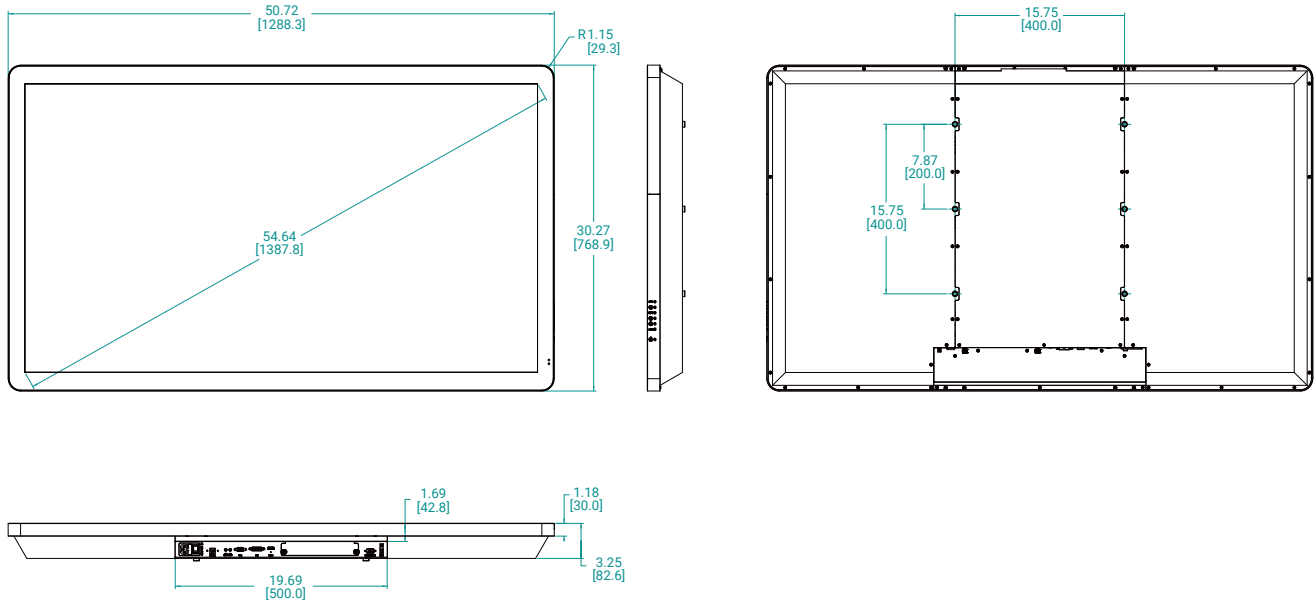
- 55-inch LCD Display, 1920 x 1080 resolutions
- Projected Capacitive Touch Screen
- Black Color Powder Coated Enclosure
- Enclosure meets IP50 requirements
- Built-in a 2-port USB 2.0 hub to support multiple USB devices.
- Built-in a 2-port 100BaseT Ethernet pass-through hub
- Single CAT6 cable connection to KVM Transmitter

Specifications

| Model Name | ADM-2155BP-00A |
|--|---|
| LCD Display | |
| Display Size (Diagonal) | 55 inch |
| Max Resolution | 1920 x 1080 |
| Backlight Lifetime (Hours) | 50,000 hours |
| Visual Characteristics | |
| Colors | 16.7 million |
| Aspect Ratio | 16:9 |
| Viewing Angle (V/H) | 178° / 178° |
| Contrast Ratio | 4000:1 |
| Brightness (max) | 500 nits |
| Video Input | HDMI via Transmitter |
| Touchscreen | |
| Technology | Projected Capacitive |
| Touch Interface | USB via Transmitter |
| Driver | Windows 7, Windows 10 |
| I/O | |
| USB Device Ports | 2x |
| Network Pass Through | 2x |
| Power/Thermal Specs | |
| Power Requirement (Max) | 110VAC/3.20A, 220VAC/1.60A |
| Power Consumption (Max) | 345W |
| Recommended Power Supply | Not Required |
| Heat Dissipation | 1,177 BTU/hr |
| Physical Information | |
| Mounting | VESA Mount |
| Net Weight | 90 Lbs/ 41Kgs |
| Dimension (WxHxD) | 50.85 x 30.02 x 3.25 inch 1291.5 x 762.5 x 82.6 mm |
| Environmental | |
| Operation Temperature | 0 to 50°C (32° to 122°F) |
| Storage Temperature | -20° to 60°C (-4° to 140°F) |
| Humidity | 5% to 95% non-condensing |
| Enclosure | Black Color Powder Coated Enclosure |
| Rating | Meets IP50 |
| Certification | N/A |
| KVM Transmitter (Shipped with ADM-2155BP-00A) | |
| Extension Media | RJ-45 Cat5e/Cat6 cable |
| Extension signal | Video, USB, RS-232, Ethernet, Power |
| Video Input | HDMI (Connect to Video Source) |
| USB | Type-B (Connector to Computer) |
| RS-232 | DB-9 (No Function) |
| LAN 1 & 2 | Network Pass Through |
| HDMI Loop-Back | For Local Display |
| Physical Information | |
| Mounting | Wall mount or DIN-RAIL mount |
| Dimension (WxHxD) | 6.19 x 1.45 x 4.04 inch 157.2 x 36.8 x 102.6 mm |
| Power/Thermal Specs | |
| Power Requirement (Max) | 48V DC Input |
| Power Consumption (Max) | 7W |
| Recommended Power Supply | Included |
| Heat Dissipation | 24 BTU/hr |

Dimension Drawing

Model Name: ADM-2155BP
Size Unit: inch(mm)



Ordering Information

| Item | ADM-2155BP-00A |
|----------------------|-----------------------|
| LCD Display | 55" LCD / 1920 x 1080 |
| Touch Screen | PCAP |
| Mounting | VESA MOUNT |
| Enclosure | Black |
| Extender Video Input | HDMI via KVM Extender |
| Power Supply | 110-220VAC |